



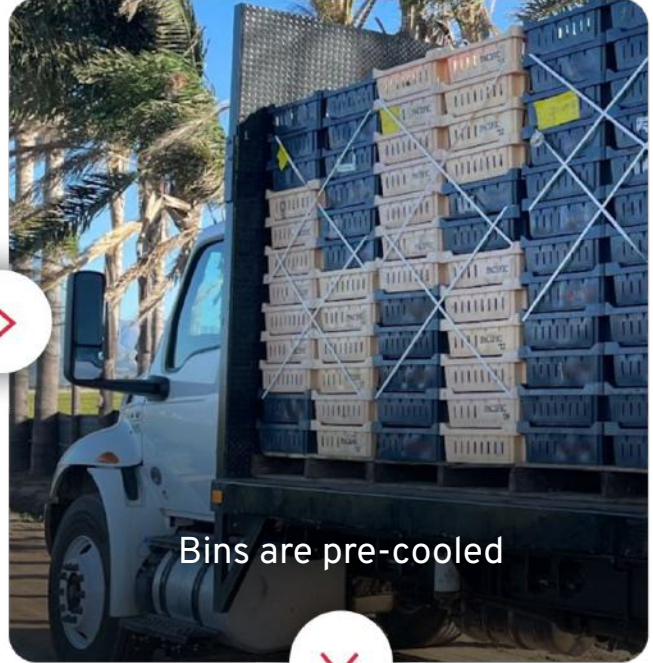
advanced.farm.
BetterPack.

Introducing the BetterPack™ autonomous fresh strawberry packline: a gentle, cost-effective approach to packing fresh strawberries to drive harvest headcount reduction on the ranch.

Up to **40%**
headcount
savings



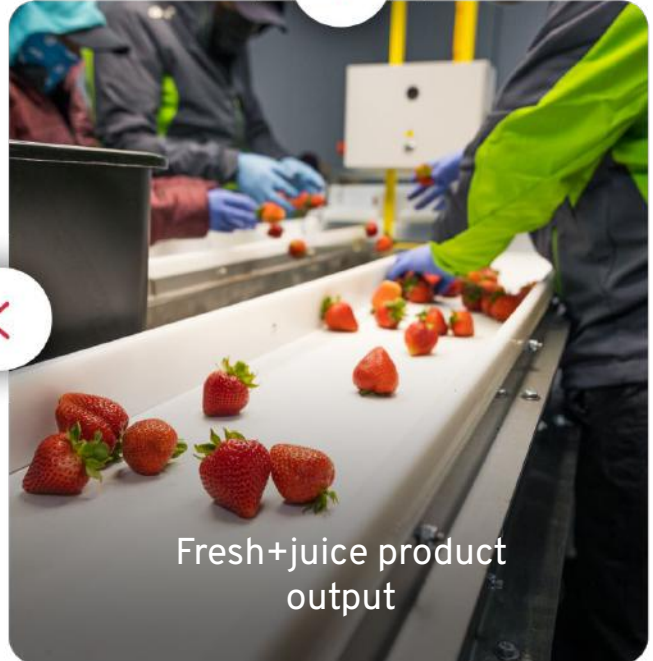
Bulk harvest by
hand into bins



Bins are pre-cooled



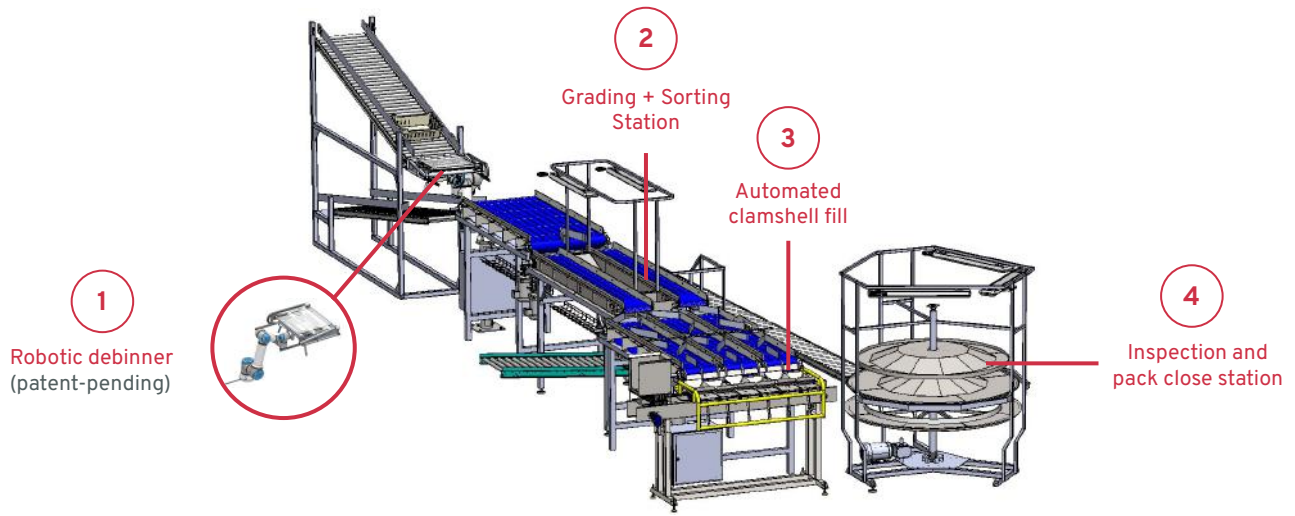
Fruit efficiently
sorted+packed



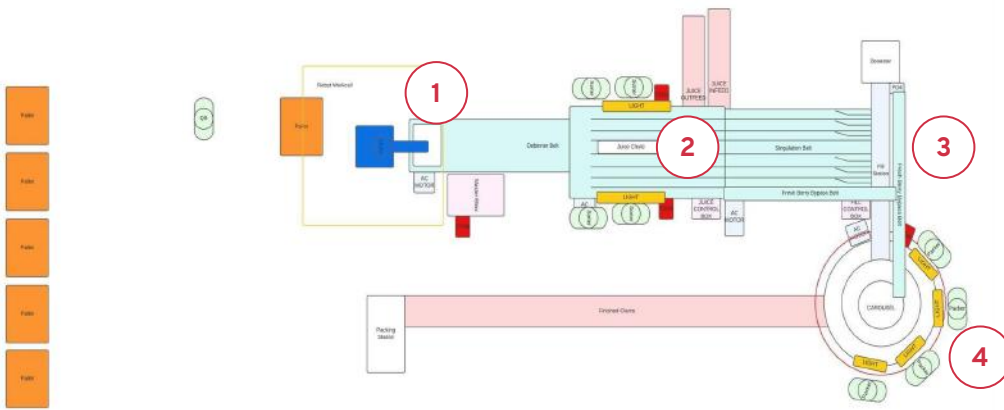
Fresh+juice product
output



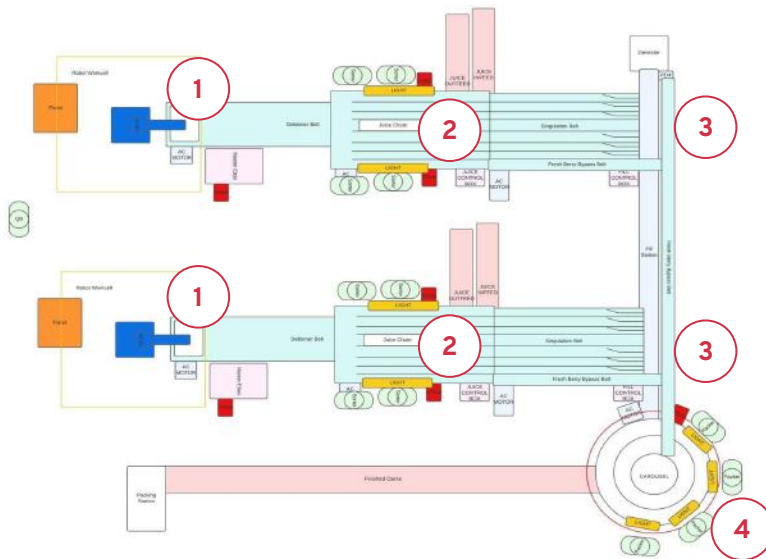
Scan to play video.
See our packline technology in action.



1 Lane Packline: 30' x 60' x 10'



2 Lane Packline: 50' x 60' x 10'



Line Specifications

40%
Harvest Efficiency Boost

360/720
RPCs/hr

30' x 60'
Modular Design

Multiple SKUs
Enable Pkg. Initiatives

Food Safe
Certifiable Design

Manual Sort
No Vision Yet



advanced.farm
BetterPack

www.advanced.farm

info@advanced.farm

vimeo.com/advancedfarm

twitter.com/aftrobots

linkedin.com/company/advancedfarm/